

# CAN and LIN Interfaces for Hi-Speed USB

## NI USB-8472, NI USB-8472s, NI USB-8473, NI USB-8473s, NI USB-8476, NI USB-8476s,

- 1-port interfaces for high-speed CAN, low-speed/fault-tolerant CAN, and LIN
- Optional hardware synchronization
- Hi-Speed USB, bus-powered
- 500 V digital isolation
- Bus error logging
- Hardware timestamping – 1  $\mu$ s resolution

### CAN Interfaces

- Philips SJA1000 CAN controller
- Transmit/receive 100 percent bus load at 1 Mb/s
- ISO 11898 compliance for standard (11-bit) and extended (29-bit) arbitration IDs
- Software-selectable termination for low-speed/fault-tolerant CAN
- J1939 compliance

### LIN Interfaces

- Atmel ATA6620 transceiver
- LIN 1.3/2.0 and J2602 compliance
- Software-selectable master/slave termination

### Operating Systems

- Windows Vista/XP/2000

### Recommended Software

- LabVIEW
- LabWindows™/CVI
- Visual C++ 6.0
- Visual Basic 6.0
- Borland C/C++

### Application Software (included)

- CAN/LIN bus monitoring and logging utility

### Driver Software (included)

- NI-CAN



Model	Physical Layer	Transceivers	Ports	Max Transfer Rate (kb/s)	Hardware Sync	Software Termination	API
USB-8472	Low-speed/fault-tolerant CAN	TJA1054AT	1	125	–	✓	Frame
USB-8472s	Low-speed/fault-tolerant CAN	TJA1054AT	1	125	✓	✓	Frame
USB-8473	High-speed CAN	TJA1041	1	1,000	–	–	Frame
USB-8473s	High-speed CAN	TJA1041	1	1,000	✓	–	Frame
USB-8476	LIN	ATA6620	1	20	–	✓	Frame
USB-8476s	LIN	ATA6620	1	20	✓	✓	Frame

Table 1. NI USB-847x Selection Guide

## Overview

NI USB-847x devices provide Hi-Speed USB interfaces for Controller Area Network (CAN) and Local Interconnect Network (LIN) monitoring, logging, and testing. With high-speed CAN, low-speed/fault-tolerant CAN, and LIN interfaces featuring optional hardware synchronization, you can use two or more USB-847x devices together to interface to a wide variety of CAN and LIN networks.

The USB-847x interfaces are ideal for many types of applications, including:

- In-vehicle network monitoring and logging
- Bus load monitoring
- Device validation with synchronized data acquisition
- CAN device development and test
- CAN and LIN data correlation with external measurements

The convenient all-in-one design features a captive 2 m USB cable and built-in transceiver, requiring no extra cables or accessories to get applications running quickly.

With hardware timestamping, you can log messages with microsecond-accurate timestamps for reconstructing network events and correlating data across synchronized devices. All USB-847x interfaces use an industry-standard 9-pin male D-Sub (DB9) connector to interface to CAN and LIN buses.

Hi-Speed USB connectivity and onboard frame buffering ensure no dropped frames, even under 100 percent bus loads.

## CAN Interfaces

USB-847x CAN interfaces feature the industry-standard Philips SJA1000 CAN controller, which implements ISO 11898 CAN functionality. The SJA1000 offers additional features to aid in system development, including listen-only mode, sleep/wakeup mode, error counter access, and self-reception (echo) mode. USB-847x CAN interfaces recognize standard (11-bit) and extended (29-bit) arbitration IDs and are compatible with J1939 networks.

## CAN and LIN Interfaces for Hi-Speed USB

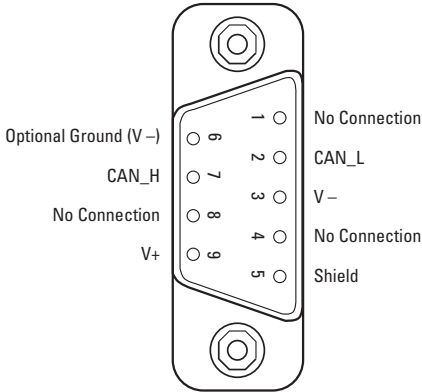


Figure 1. CAN DB9 Connector (USB CAN Modules)

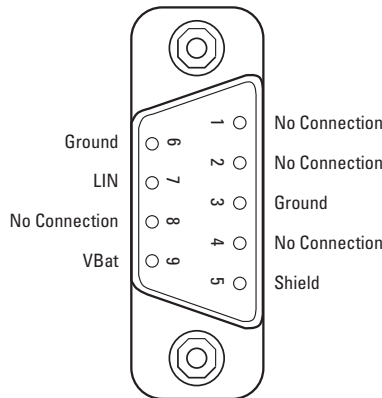


Figure 2. LIN DB9 Connector (USB LIN Modules)

Low-speed/fault-tolerant USB-847x CAN interfaces offer software-selectable termination for compatibility with all low-speed network configurations.

### Onboard Physical Layer

The CAN physical layer connects the CAN controller to the physical bus wires. USB-847x CAN interfaces are available with high-speed and low-speed/fault-tolerant physical layers. All USB-847x devices have onboard physical layer transceivers and require no external dongles. The physical layers are internally powered via a DC-to-DC converter and electrically isolated up to 500 V.

### LIN Interfaces

NI USB-8476 LIN interfaces, featuring the Atmel ATA6620 LIN transceiver, are compliant with the LIN 1.3/2.0 and J2602 specifications and offer software-selectable master/slave termination. The ATA6620

features baud rates up to 20 kb/s and offers advanced power management with a low-power sleep mode.

### Hardware Synchronization

Many automotive applications demand tight integration of CAN, LIN, analog, and digital measurements. In applications such as CAN device development and validation, you need to synchronize different measurements to correlate data. You can program this synchronization in software, but OS latency and clock drift between the different onboard oscillators introduce unacceptable delays for certain automotive test applications.

NI offers USB-847x CAN and LIN interfaces with an optional hardware synchronization feature, with which the USB interfaces can share timing and triggering signals with other USB-847x interfaces, as well as data acquisition, vision, and motion devices, to achieve true hardware synchronization. Determinism is maintained between the trigger signal and the desired response because timing and triggering signals are handled in hardware. The host PC software interacts only to retrieve the data once it is acquired or to write new data.

### NI-CAN Software

National Instruments provides NI-CAN driver software for Windows Vista/XP/2000. NI-CAN includes a detailed API and examples for NI LabVIEW and LabWindows/CVI, Microsoft Visual C/C++ 6.0 and Visual Basic 6.0, and Borland C/C++. USB-847x interfaces use the NI-CAN Frame API for frame-level access to messages on CAN and LIN networks. The NI-CAN driver software also includes the Bus Monitor and NI Spy utilities to aid in application development.

### NI-CAN Frame API

The NI-CAN Frame API offers a powerful interface for accessing NI CAN hardware. The API enables full access to all traffic on CAN and LIN buses. It is a powerful tool for implementing a variety of applications, including CAN and LIN frame-level access, challenge response protocols, remote frame handling, and advanced synchronization.

### Bus Monitor

To quickly monitor all CAN and LIN bus traffic, use Bus Monitor, a utility that offers an easy-to-use interface that displays all CAN and LIN frames on the network, and log the traffic to disk. Bus Monitor provides options to control, display, and view bus statistics.

# CAN and LIN Interfaces for Hi-Speed USB

## NI Spy

NI Spy is a utility for monitoring NI-CAN API calls made by applications without recompiling or rebuilding. It is ideal for testing application functionality, troubleshooting problems, and verifying communication with CAN devices. NI Spy dynamically captures and displays all NI-CAN API calls made by applications running on the computer.

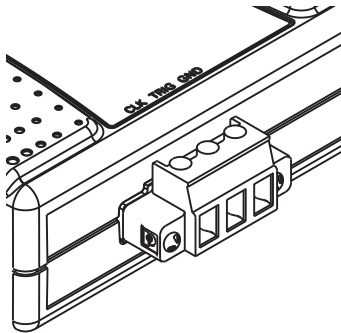


Figure 3. COMBICON Synchronization Connector for USB-847x Devices

## Ordering Information

### NI USB-8472

1-port, low-speed, USB CAN interface .....779790-01

### NI USB-8472s

1-port, low-speed, USB CAN interface  
with synchronization .....779791-01

### NI USB-8473

1-port, high-speed, USB CAN interface .....779792-01

### NI USB-8473s

1-port, high-speed, USB CAN interface  
with synchronization .....779793-01

### NI USB-8476

1-port, USB LIN interface .....779794-01

### NI USB-8476s

1-port, USB LIN interface with synchronization .....779795-01

### CAN Device Simulator

U.S. 120 VAC .....779189-01

Euro 240 VAC .....779189-02

Japan 100 VAC .....779189-07

### Cables and Brackets

USB cable strain relief bracket .....777550-01

CAN single-termination, high-speed cable, 2 m .....192017-02

## BUY NOW!

For complete product specifications, pricing, and accessory information, call 800 813 3693 (U.S.) or go to [ni.com/can](http://ni.com/can).

## Specifications

### USB Power Requirements

USB-8472(s), USB-8473(s) .....	250 mA, 5 VDC
USB-8476(s).....	200 mA, 5 VDC

### Hardware Synchronization

Input clocks .....	1, 10, and 20 MHz
Output clock .....	1 MHz
Trigger lines.....	1 input/output
Clock lines.....	1 input/output
Examples included for sync to NI-DAQmx, LIN, CAN, and RTSI bus.	

### Supported Baud Rates

USB-8472(s).....	5,000 to 125,000 baud
USB-8473(s).....	40,000 to 1,000,000 baud
USB-8476(s).....	2,400 to 20,000 baud

### Safety

Galvanic CAN channel to USB isolation .....	500 V
Withstand.....	2 s maximum

### Dimensions

Nonsynchronized versions .....	7.87 by 6.35 by 2.54 cm (3.1 by 2.5 by 1.0 in.)
Synchronized versions .....	7.87 by 7.11 by 2.54 cm (3.1 by 2.8 by 1.0 in.)
Cable length.....	2 m
I/O connector .....	9-pin male D-Sub, optional 3-pin COMBICON for synchronization

### Operating Environment

Ambient temperature.....	0 to 55 °C
Relative humidity .....	10 to 90%, noncondensing (tested in accordance with IEC-60068-2-1, IEC-60068-2-2, IEC-60068-2-56)

# NI Services and Support



NI has the services and support to meet your needs around the globe and through the application life cycle – from planning and development through deployment and ongoing maintenance. We offer services and service levels to meet customer requirements in research, design, validation, and manufacturing. Visit [ni.com/services](http://ni.com/services).

## Training and Certification

NI training is the fastest, most certain route to productivity with our products. NI training can shorten your learning curve, save development time, and reduce maintenance costs over the application life cycle. We schedule instructor-led courses in cities worldwide, or we can hold a course at your facility. We also offer a professional certification program that identifies individuals who have high levels of skill and knowledge on using NI products. Visit [ni.com/training](http://ni.com/training).

## Professional Services

Our NI Professional Services team is composed of NI applications and systems engineers and a worldwide National Instruments Alliance Partner program of more than 600 independent consultants and

integrators. Services range from start-up assistance to turnkey system integration. Visit [ni.com/alliance](http://ni.com/alliance).



## OEM Support

We offer design-in consulting and product integration assistance if you want to use our products for OEM applications. For information about special pricing and services for OEM customers, visit [ni.com/oem](http://ni.com/oem).

## Local Sales and Technical Support

In offices worldwide, our staff is local to the country, giving you access to engineers who speak your language. NI delivers industry-leading technical support through online knowledge bases, our applications engineers, and access to 14,000 measurement and automation professionals within NI Developer Exchange forums. Find immediate answers to your questions at [ni.com/support](http://ni.com/support).

We also offer service programs that provide automatic upgrades to your application development environment and higher levels of technical support. Visit [ni.com/ssp](http://ni.com/ssp).

## Hardware Services

### NI Factory Installation Services

NI Factory Installation Services (FIS) is the fastest and easiest way to use your PXI or PXI/SCXI combination systems right out of the box. Trained NI technicians install the software and hardware and configure the system to your specifications. NI extends the standard warranty by one year on hardware components (controllers, chassis, modules) purchased with FIS. To use FIS, simply configure your system online with [ni.com/pxiadvisor](http://ni.com/pxiadvisor).

### Calibration Services

NI recognizes the need to maintain properly calibrated devices for high-accuracy measurements. We provide manual calibration procedures, services to recalibrate your products, and automated calibration software specifically designed for use by metrology laboratories. Visit [ni.com/calibration](http://ni.com/calibration).

### Repair and Extended Warranty

NI provides complete repair services for our products. Express repair and advance replacement services are also available. We offer extended warranties to help you meet project life-cycle requirements. Visit [ni.com/services](http://ni.com/services).



[ni.com](http://ni.com) • 800 813 3693

National Instruments • [info@ni.com](mailto:info@ni.com)

©2008 National Instruments Corporation. All rights reserved. CVI, LabVIEW, National Instruments, National Instruments Alliance Partner, NI, ni.com, RTSI, and SCXI are trademarks of National Instruments. The mark LabWindows is used under a license from Microsoft Corporation. Windows is a registered trademark of Microsoft Corporation in the United States and other countries. Other product and company names listed are trademarks or trade names of their respective companies. A National Instruments Alliance Partner is a business entity independent from NI and has no agency, partnership, or joint-venture relationship with NI.

